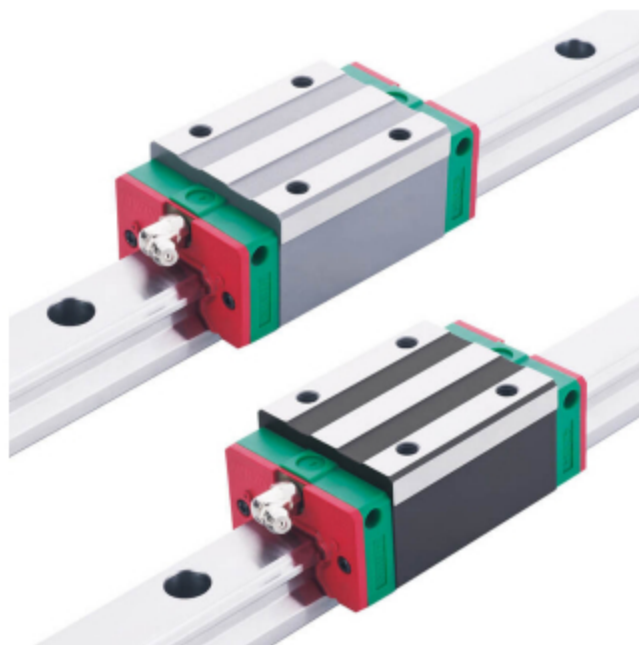




**WY
PRODUCT
CATALOGUE**





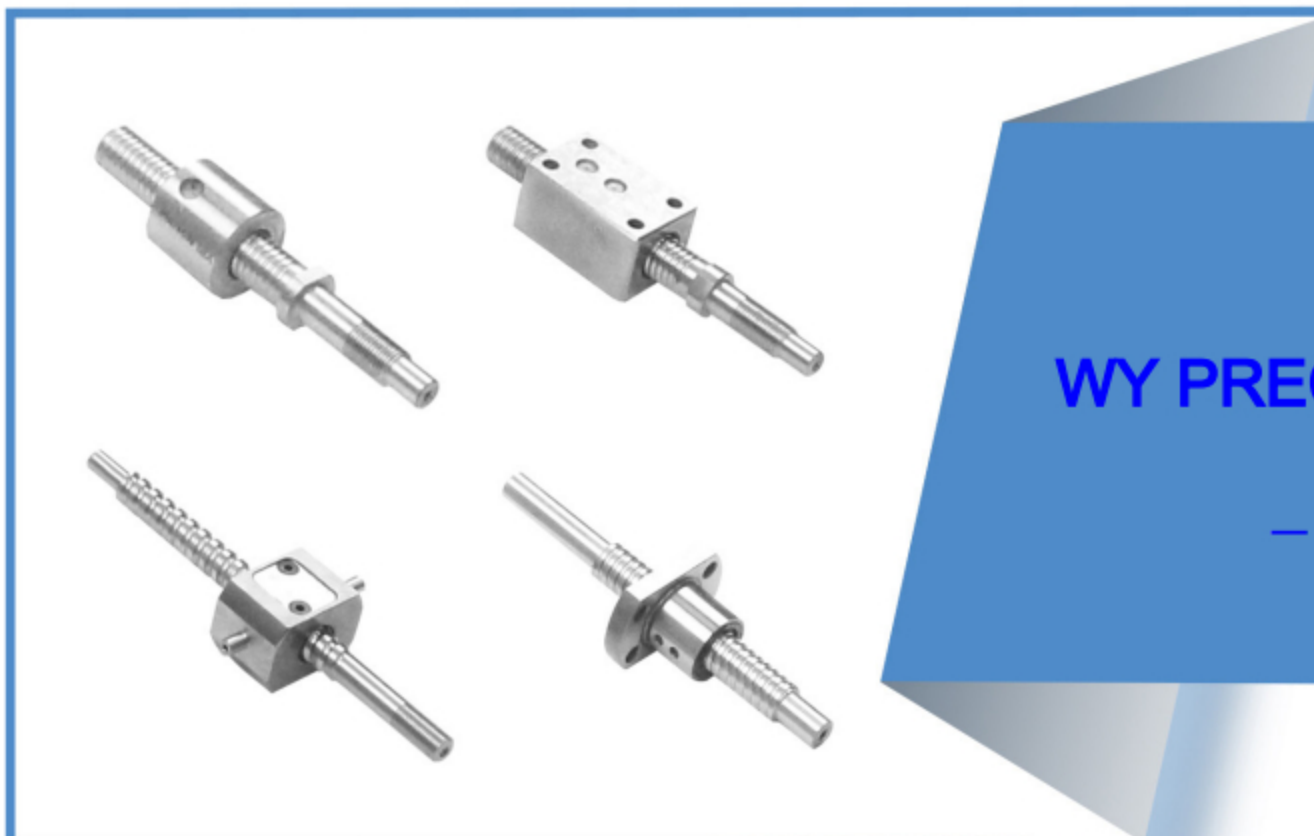
LINEAR MOTION SYSTEMS & SOLUTIONS



Design To Customer

Customization Design Solution Provided in 24 hours!

PRECISION SMALL AND MINIATURE BALL SCREW



WY PRECISION COMPANY LIMITED

— Member of WANFU Group



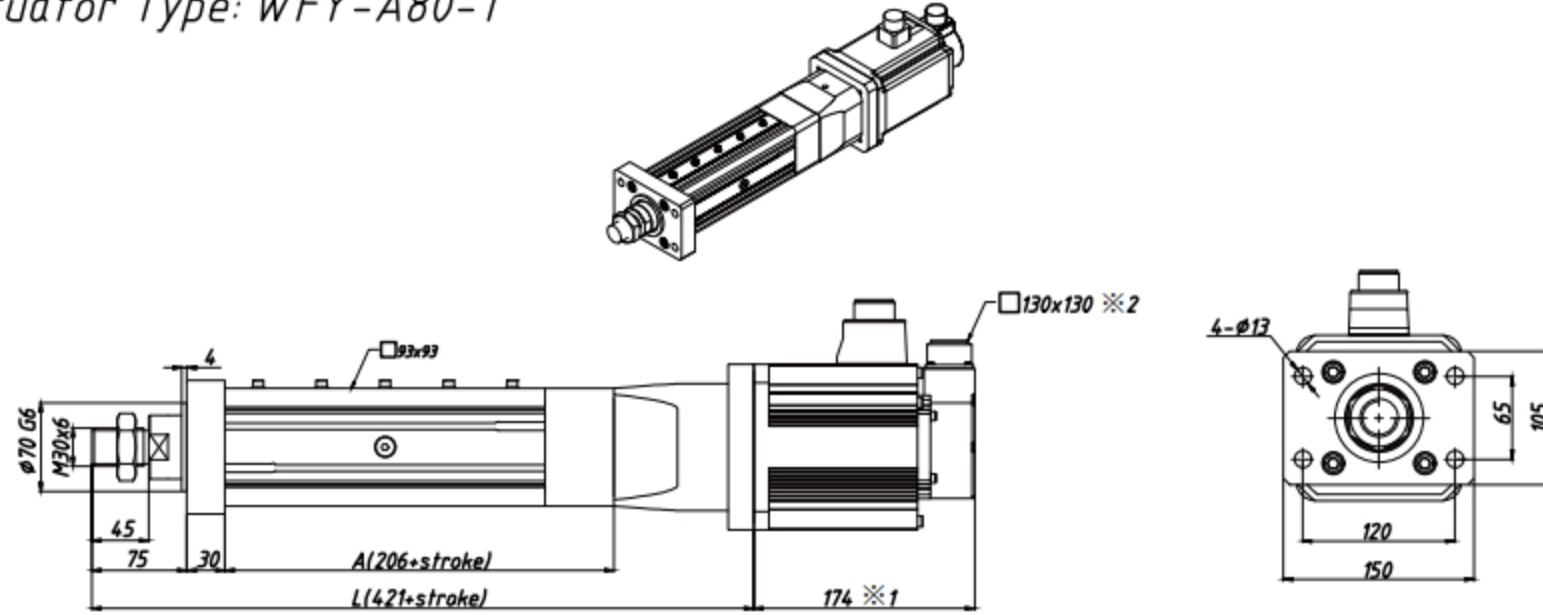
PRODUCT MANUAL

Transmission parts and supporting mechanical parts.
Linear transmission components, such as single-axis and multi-axis components.
Motors, controllers, sensors, encoders, etc.
Design, assembly and debugging of non-standard automation equipment, etc.

-  Professional Customization
-  Precision Machining
-  High Quality Assurance



Actuator Type: WFY-A80-1

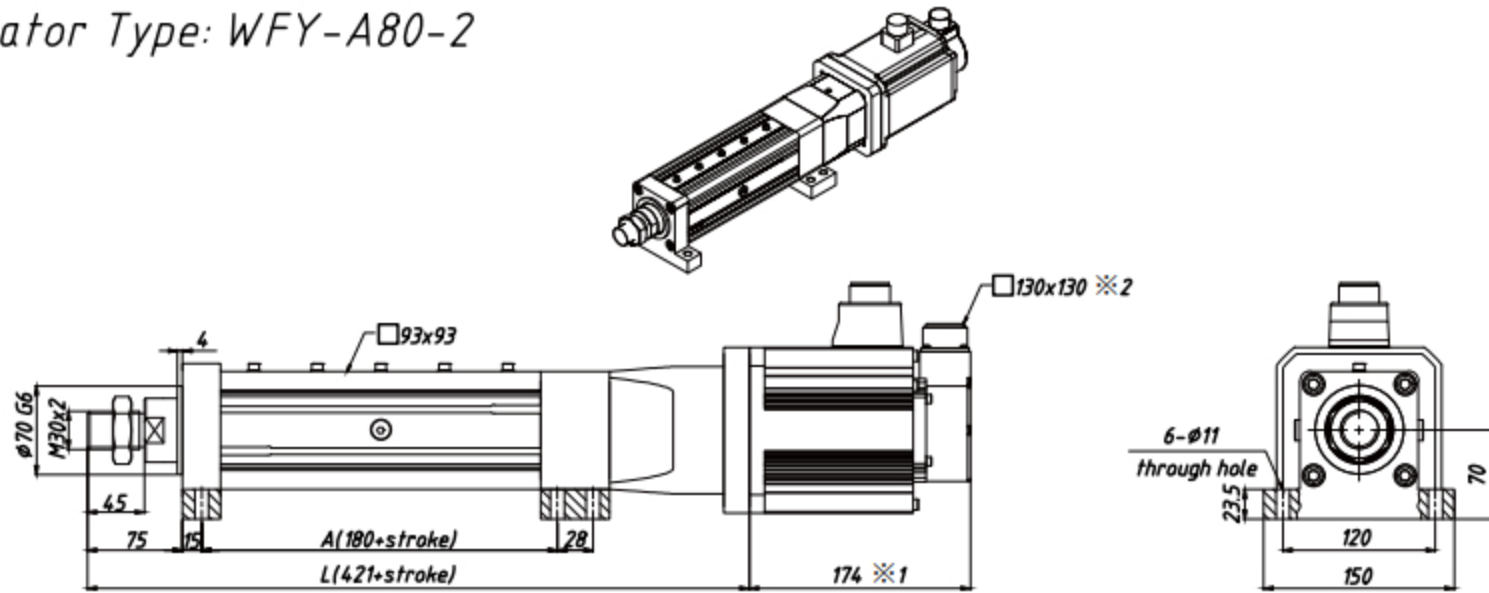


Dimension unit:mm

stroke(mm)	50	100	150	200	250	300	350	400	450	500	550	600
L (mm)	471	521	571	621	671	721	771	821	871	921	971	1021
A (mm)	256	306	356	406	456	506	556	606	656	706	756	806
weight(kg)	20	21	22	23	24	25	26	27	28	29	30	31

- *1: Length depends on Motor size
- *2: Motor outlet dimension size 130mmx130mm

Actuator Type: WFY-A80-2

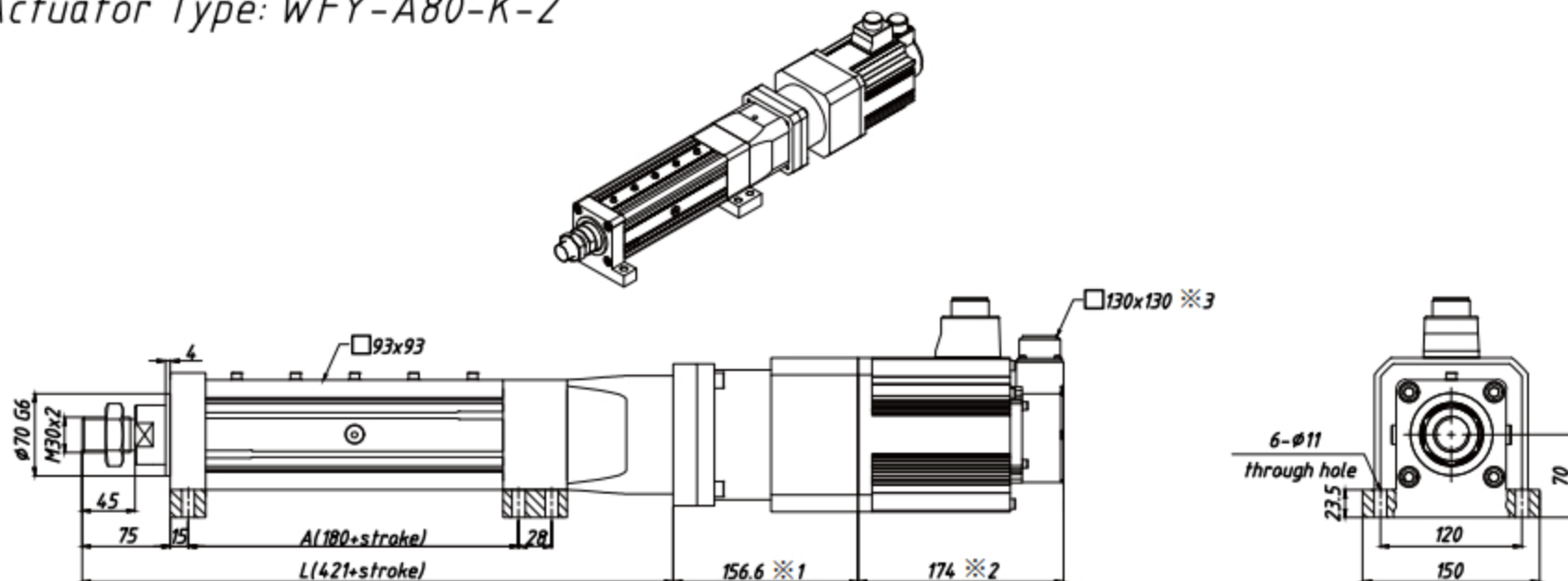


Dimension unit:mm

stroke(mm)	50	100	150	200	250	300	350	400	450	500	550	600
L (mm)	471	521	571	621	671	721	771	821	871	921	971	1021
A (mm)	230	280	330	380	430	480	530	580	630	680	730	780
weight(kg)	21	22	23	24	25	26	27	28	29	30	31	32

- *1: Length depends on Motor size
- *2: Motor outlet dimension size 130mmx130mm

Actuator Type: WFY-A80-K-2



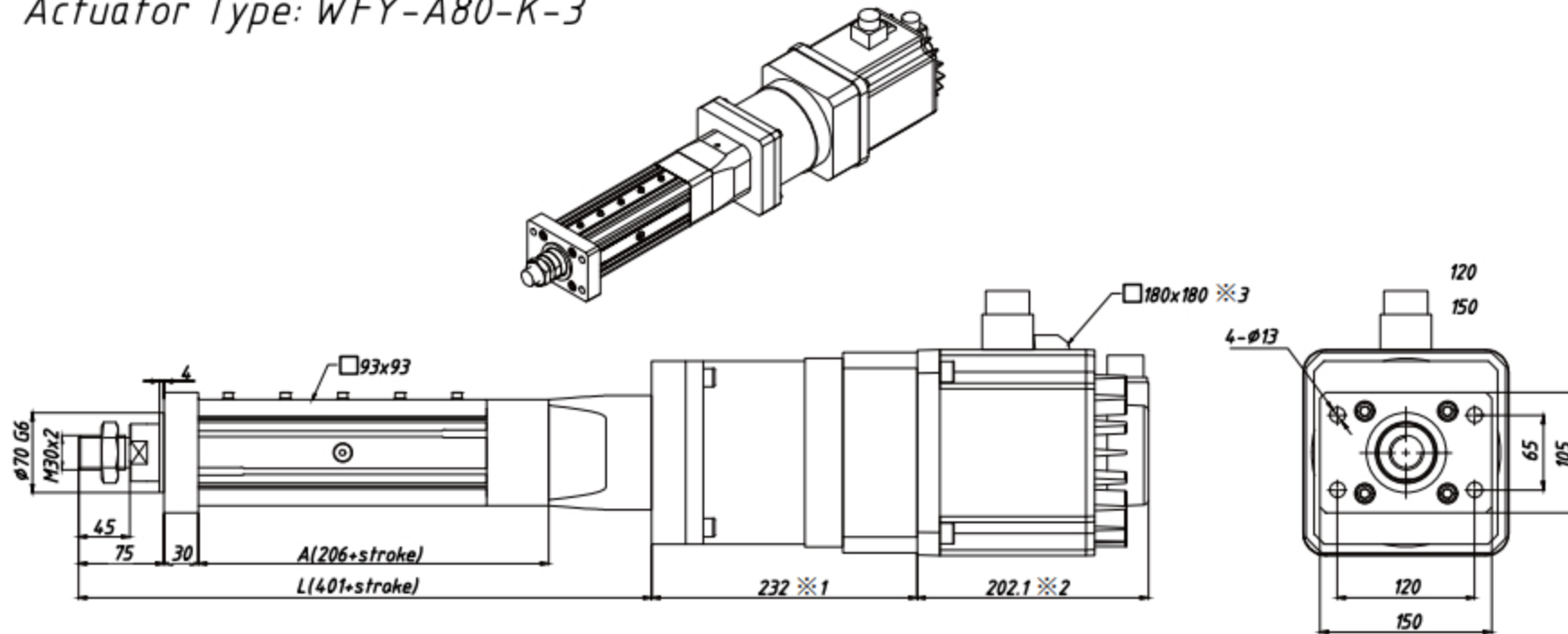
Dimension unit:mm

stroke(mm)	50	100	150	200	250	300	350	400	450	500	550	600
L (mm)	451	501	551	601	651	701	751	801	851	901	951	1001
A (mm)	230	280	330	380	430	480	530	580	630	680	730	780
weight(kg)	27	28	29	30	31	32	33	34	35	36	37	38

- *1: User specifies other brand Reducer, Length depends on Reducer size
- *2: Length depends on Motor size
- *3: Motor outlet dimension size 130mmx130mm



Actuator Type: WFY-A80-K-3

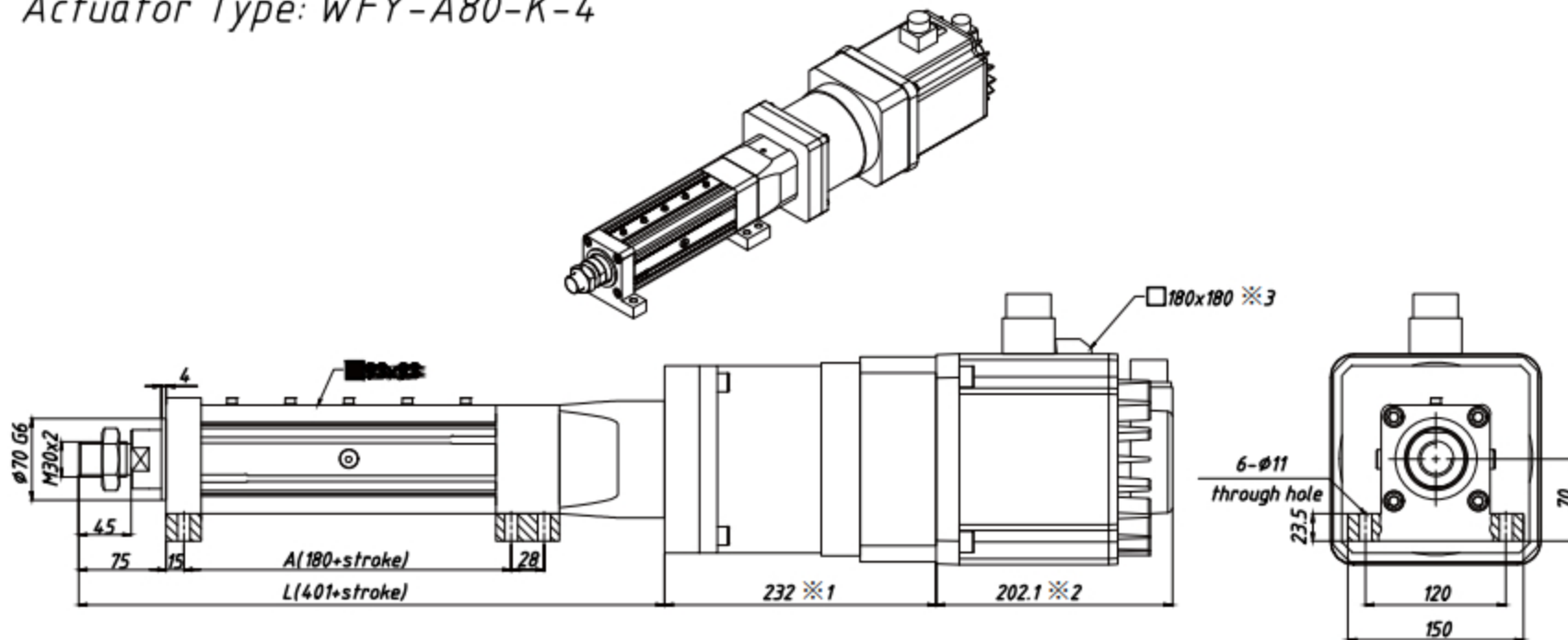


- ※ 1 : User specifies other brand Reducer, Length depends on Reducer size
- ※ 2 : Length depends on Motor size
- ※ 3 : Motor outlet dimension size 180mm×180mm

Dimension unit:mm

stroke(mm)	50	100	150	200	250	300	350	400	450	500	550	600
L (mm)	451	501	551	601	651	701	751	801	851	901	951	1001
A (mm)	256	306	356	406	456	506	556	606	656	706	756	806
weight(kg)	41	42	43	44	45	46	47	48	49	50	51	52

Actuator Type: WFY-A80-K-4



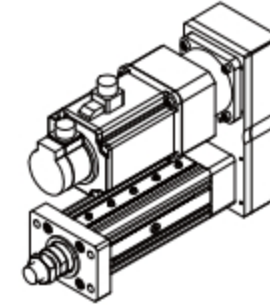
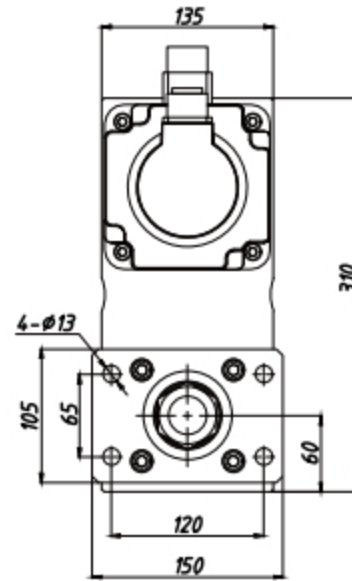
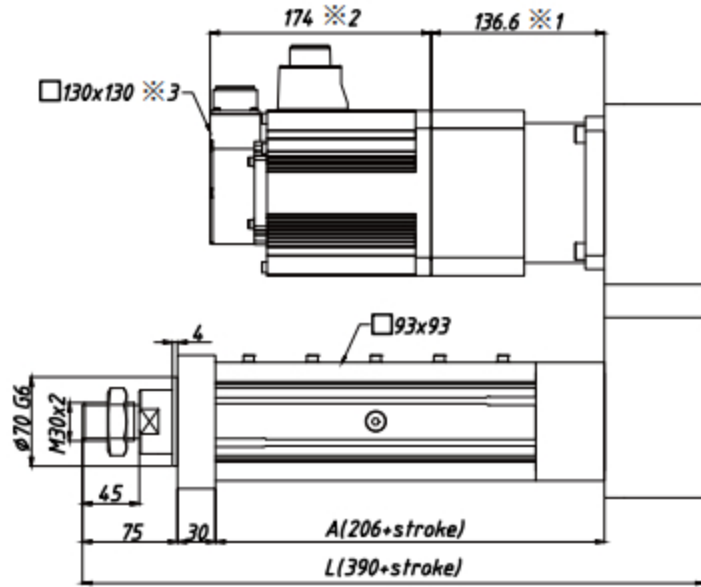
- ※ 1 : User specifies other brand Reducer, Length depends on Reducer size
- ※ 2 : Length depends on Motor size
- ※ 3 : Motor outlet dimension size 180mm×180mm

Dimension unit:mm

stroke(mm)	50	100	150	200	250	300	350	400	450	500	550	600
L (mm)	451	501	551	601	651	701	751	801	851	901	951	1001
A (mm)	230	280	330	380	430	480	530	580	630	680	730	780
weight(kg)	42	43	44	45	46	47	48	49	50	51	52	53



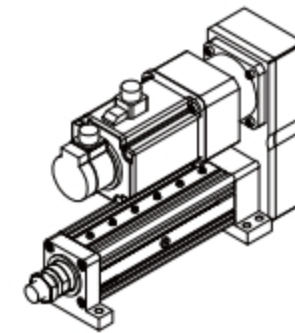
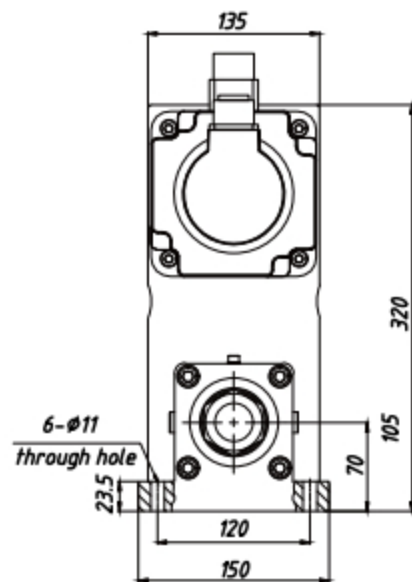
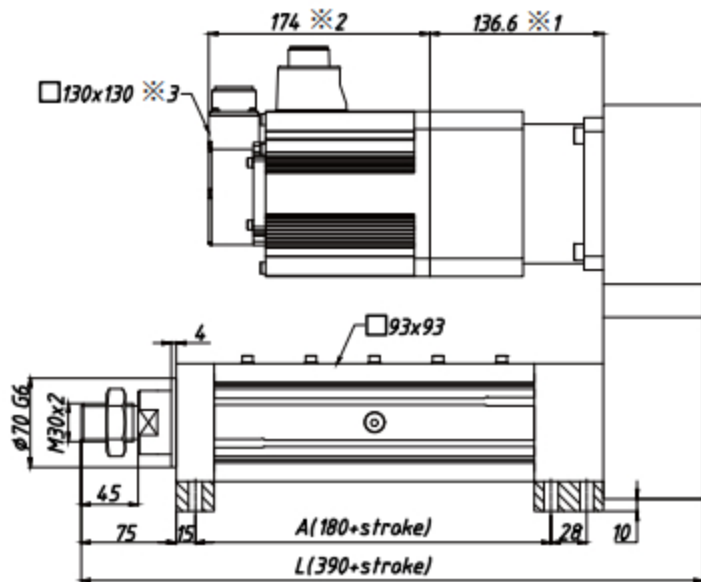
Actuator Type: WFY-A80-K-5



- ※1: User specifies other brand Reducer, Length depends on Reducer size
- ※2: Length depends on Motor size
- ※3: Motor outlet dimension size 130mm×130mm

stroke(mm)	50	100	150	200	250	300	350	400	450	500	550	600
L (mm)	440	490	540	590	640	690	740	790	840	890	940	990
A (mm)	256	306	356	406	456	506	556	606	656	706	756	806
weight(kg)	29	30	31	32	33	34	34	35	36	37	38	39

Actuator Type: WFY-A80-K-6

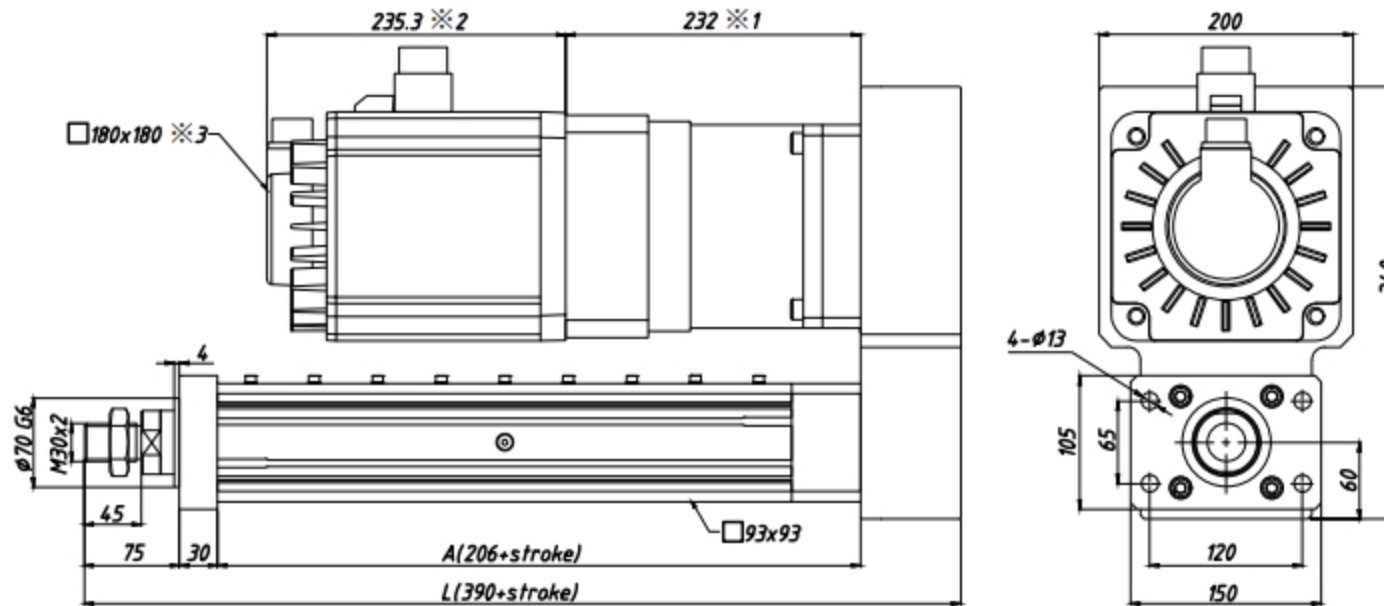
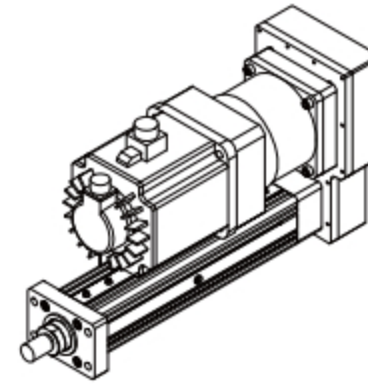


- ※1: User specifies other brand Reducer, Length depends on Reducer size
- ※2: Length depends on Motor size
- ※3: Motor outlet dimension size 130mm×130mm

stroke(mm)	50	100	150	200	250	300	350	400	450	500	550	600
L (mm)	440	490	540	590	640	690	740	790	840	890	940	990
A (mm)	230	280	330	380	430	480	530	580	630	680	730	780
weight(kg)	30	31	32	33	34	34	35	36	37	38	39	40



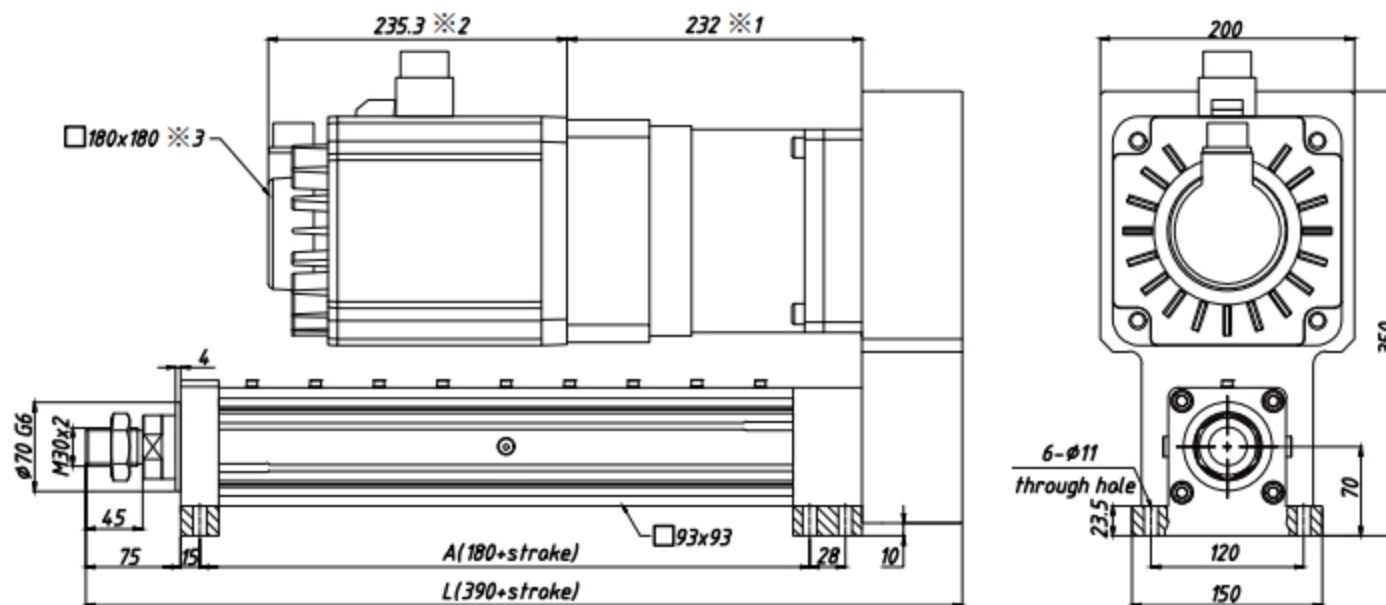
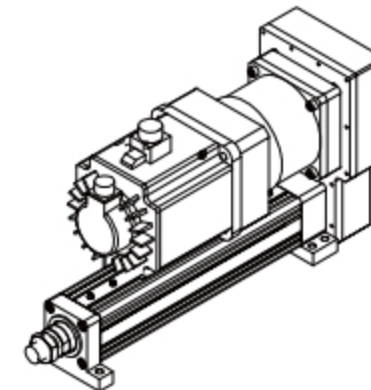
Actuator Type: WFY-A80-K-7



- ※1: User specifies other brand Reducer, Length depends on Reducer size
- ※2: Length depends on Motor size
- ※3: Motor outlet dimension size 180mm×180mm

stroke(mm)	50	100	150	200	250	300	350	400	450	500	550	600
L (mm)	440	490	540	590	640	690	740	790	840	890	940	990
A (mm)	256	306	356	406	456	506	556	606	656	706	756	806
weight(kg)	46	47	48	49	50	51	52	53	54	55	56	57

Actuator Type: WFY-A80-K-8

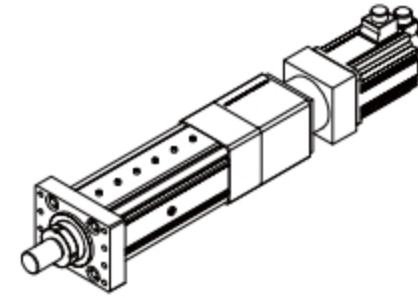


- ※1: User specifies other brand Reducer, Length depends on Reducer size
- ※2: Length depends on Motor size
- ※3: Motor outlet dimension size 180mm×180mm

stroke(mm)	50	100	150	200	250	300	350	400	450	500	550	600
L (mm)	440	490	540	590	640	690	740	790	840	890	940	990
A (mm)	230	280	330	380	430	480	530	580	630	680	730	780
weight(kg)	47	48	49	50	51	52	53	54	55	56	57	58



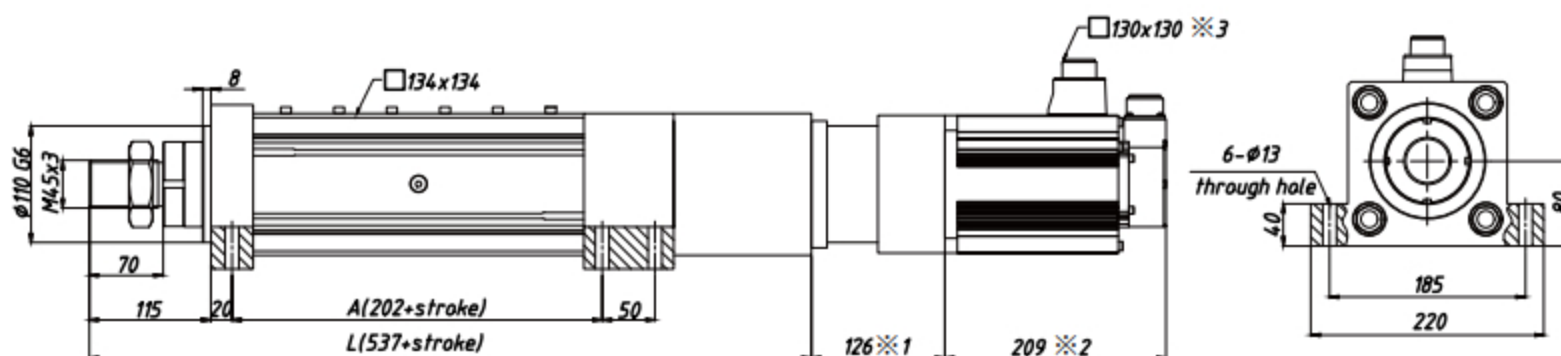
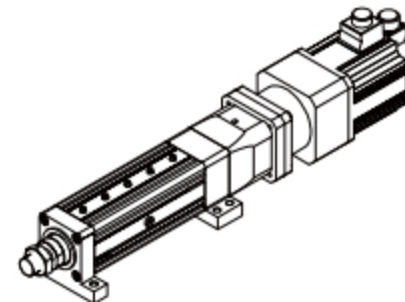
Actuator Type: WFY-A125-D-K-1



- ※1: User specifies other brand Reducer, Length depends on Reducer size
- ※2: Length depends on Motor size
- ※3: Motor outlet dimension size 130mmx130mm

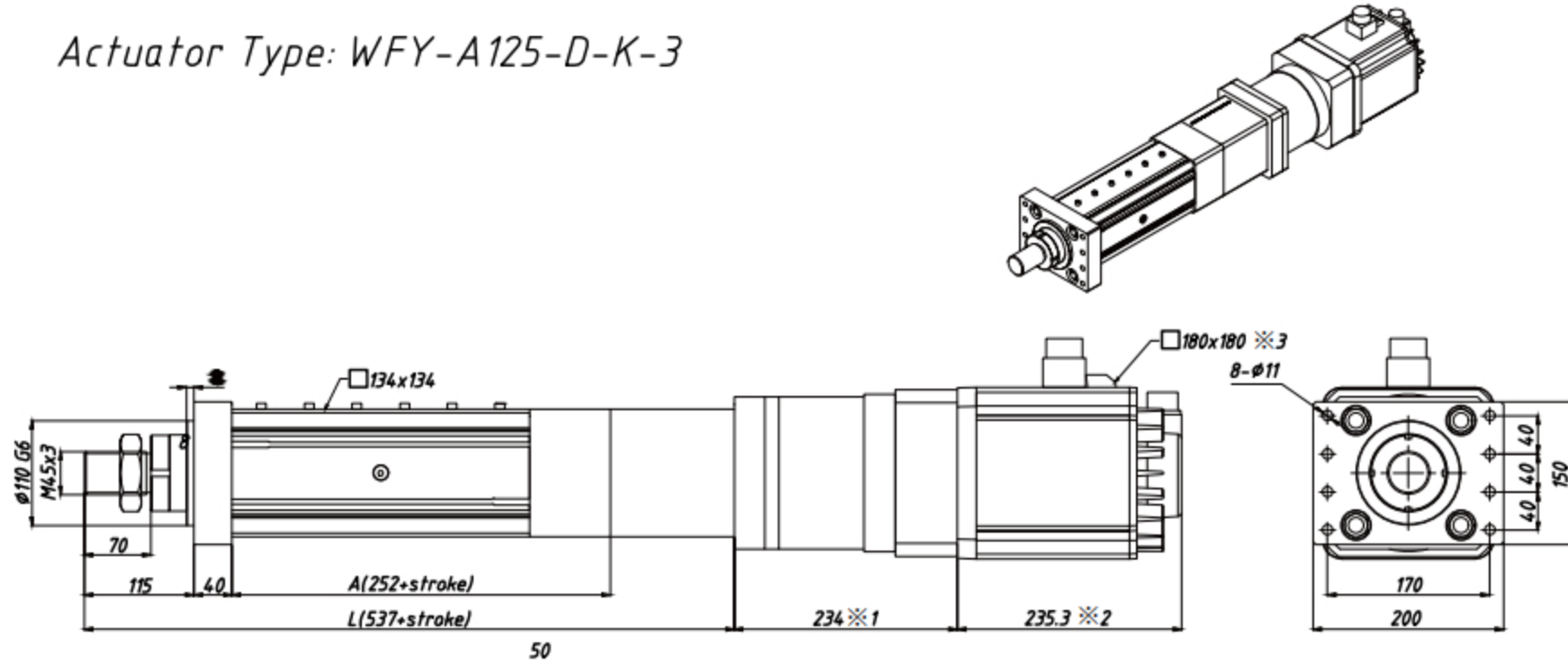
stroke(mm)	50	100	150	200	250	300	350	400	450	500	550	600
L (mm)	582	632	682	732	782	832	882	932	982	1032	1082	1132
A (mm)	297	347	397	447	497	547	597	647	697	747	797	847
weight(kg)	57	59.5	62	64.5	67	69.5	72	74.5	77	79.5	82	84.5

Actuator Type: WFY-A125-D-K-2





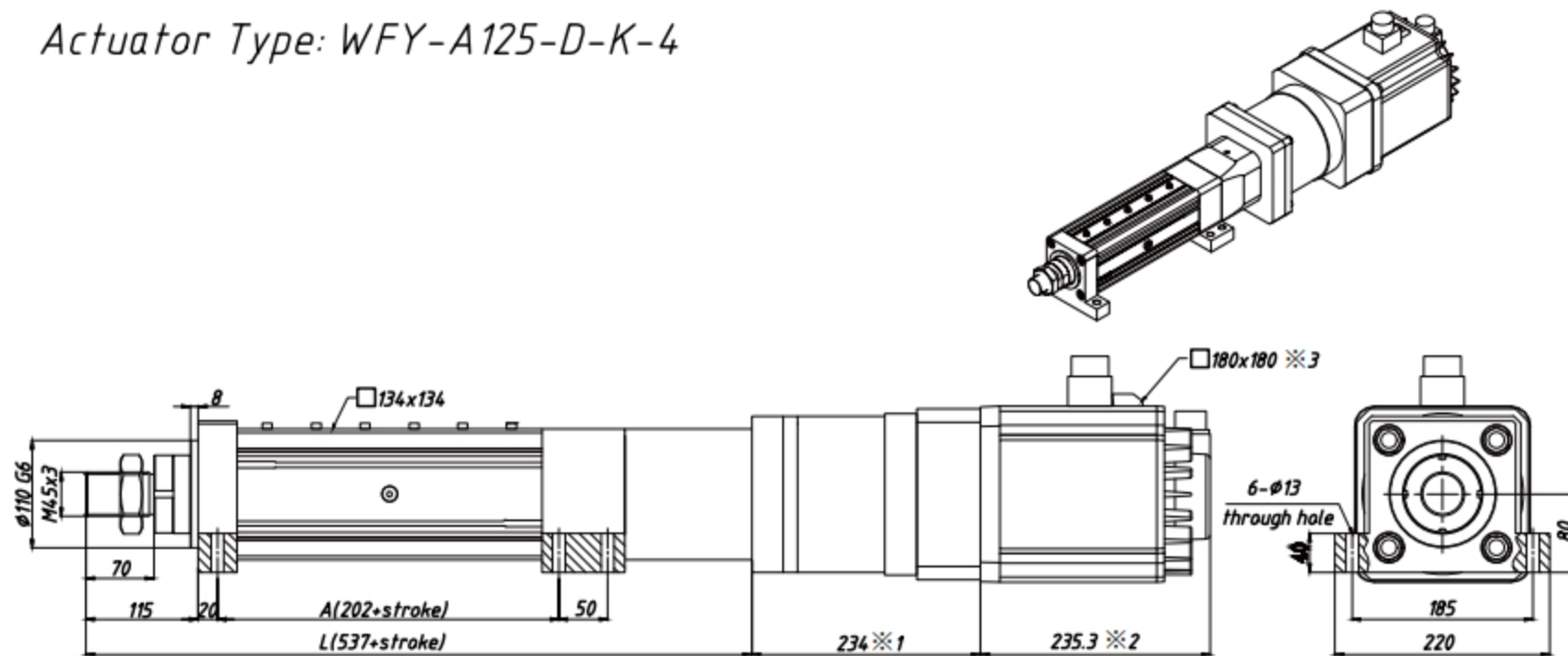
Actuator Type: WFY-A125-D-K-3



- ※1: User specifies other brand Reducer, Length depends on Reducer size
- ※2: Length depends on Motor size
- ※3: Motor outlet dimension size 180mm×180mm

stroke(mm)	50	100	150	200	250	300	350	400	450	500	550	600
L (mm)	582	632	682	732	782	832	882	932	982	1032	1082	1132
A (mm)	297	347	397	447	497	547	597	647	697	747	797	847
weight(kg)	70.5	73	75.5	78	80.5	83	85.5	88	90.5	93	95.5	98

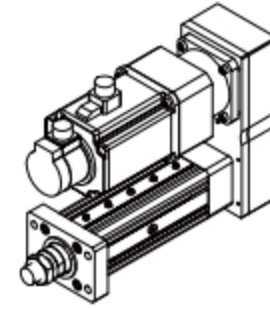
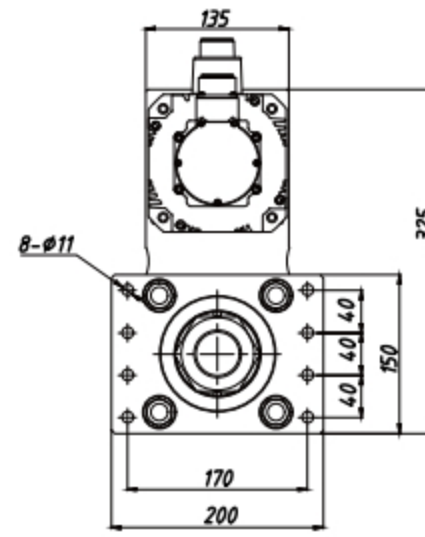
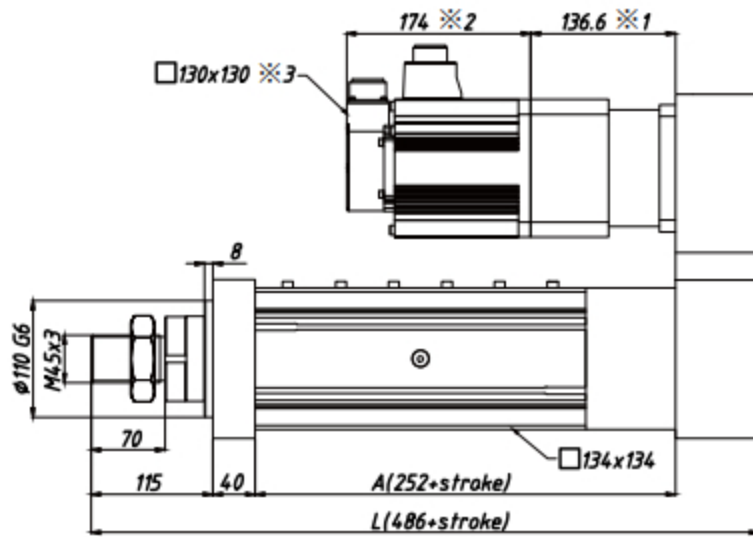
Actuator Type: WFY-A125-D-K-4



- ※1: User specifies other brand Reducer, Length depends on Reducer size
- ※2: Length depends on Motor size
- ※3: Motor outlet dimension size 180mm×180mm

stroke(mm)	50	100	150	200	250	300	350	400	450	500	550	6
L (mm)	582	632	682	732	782	832	882	932	982	1032	1082	11
A (mm)	249.5	299.5	349.5	399.5	449.5	499.5	549.5	599.5	649.5	699.5	749.5	79
weight(kg)	72.5	75	77.5	80	82.5	85	87.5	90	92.5	95	97.5	10

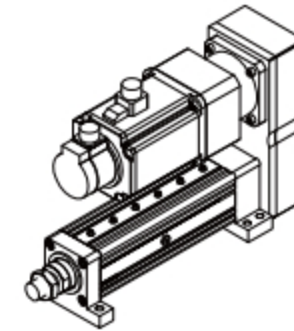
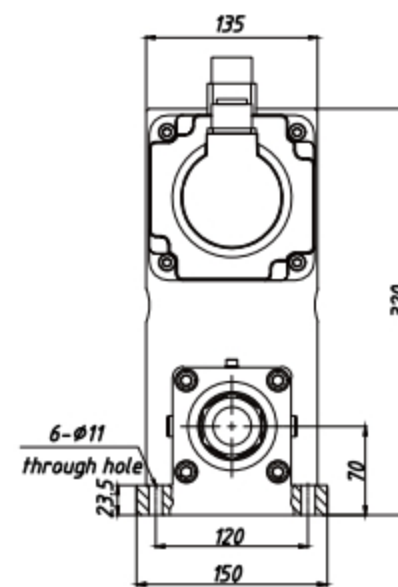
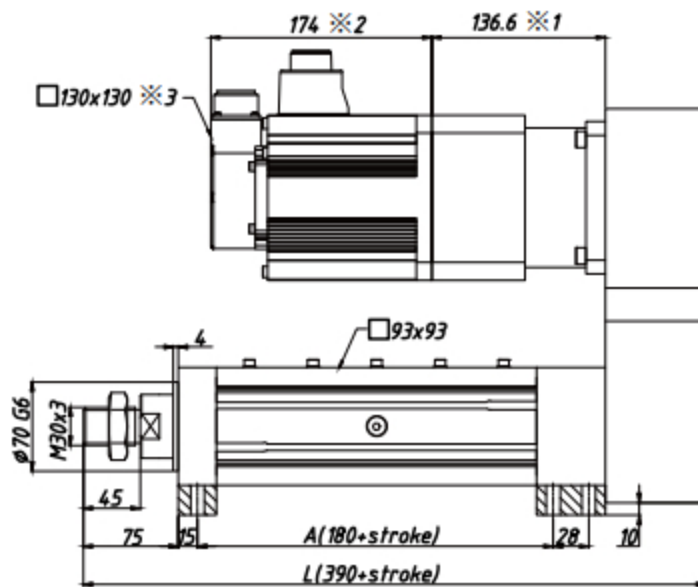
Actuator Type: WFY-A125-D-K-5



- ※1: User specifies other brand Reducer, Length depends on Reducer size
- ※2: Length depends on Motor size
- ※3: Motor outlet dimension size 130mm×130mm

stroke (mm)	50	100	150	200	250	300	350	400	450	500	550	600
L (mm)	531	581	631	681	731	781	831	881	931	981	1031	1081
A (mm)	297	347	397	447	497	547	597	647	697	747	797	847
weight(kg)	55	57.5	60	62.5	65	67.5	70	72.5	75	77.5	80	82.5

Actuator Type: WFY-A125-D-K-6

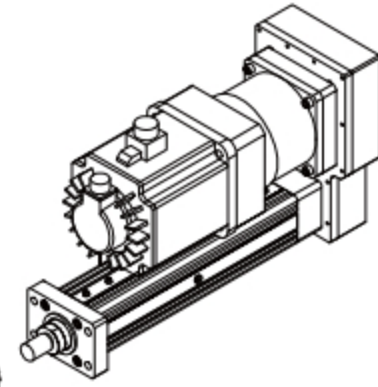
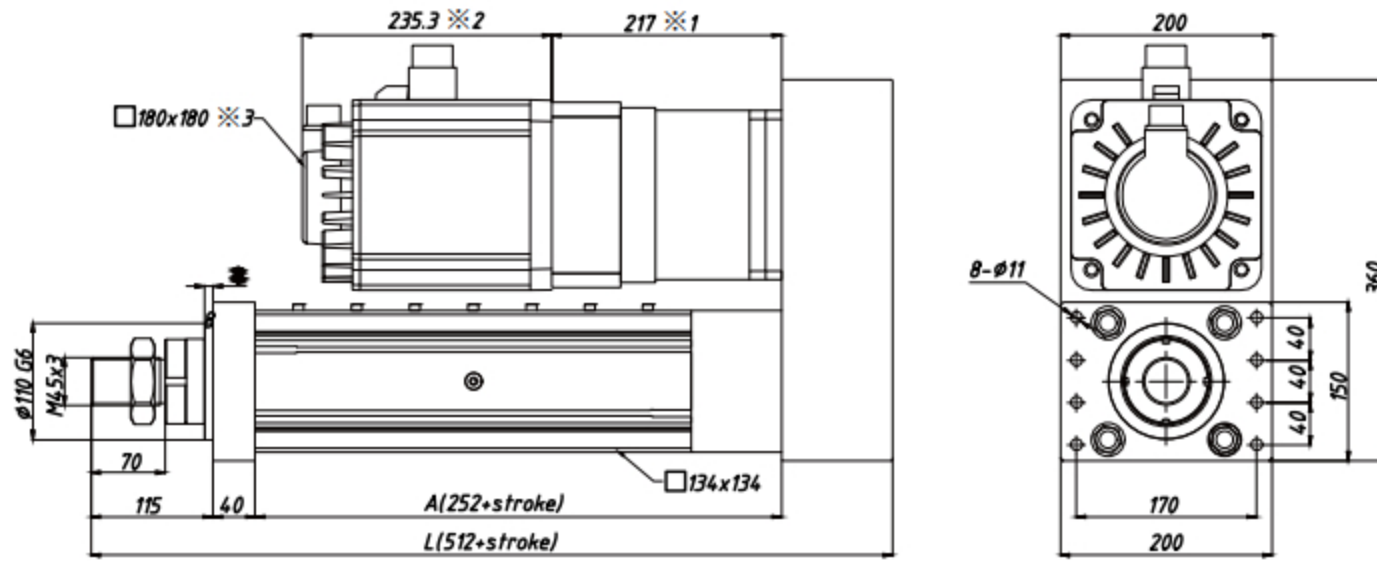


- ※1: User specifies other brand Reducer, Length depends on Reducer size
- ※2: Length depends on Motor size
- ※3: Motor outlet dimension size 130mm×130mm

stroke (mm)	50	100	150	200	250	300	350	400	450	500	550	600
L (mm)	440	490	540	590	640	690	740	790	840	890	940	990
A (mm)	230	280	330	380	430	480	530	580	630	680	730	780
weight(kg)	30	31	32	33	34	34	35	36	37	38	39	40



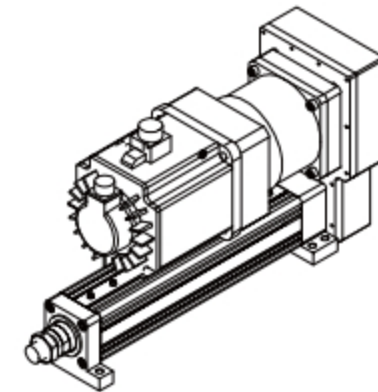
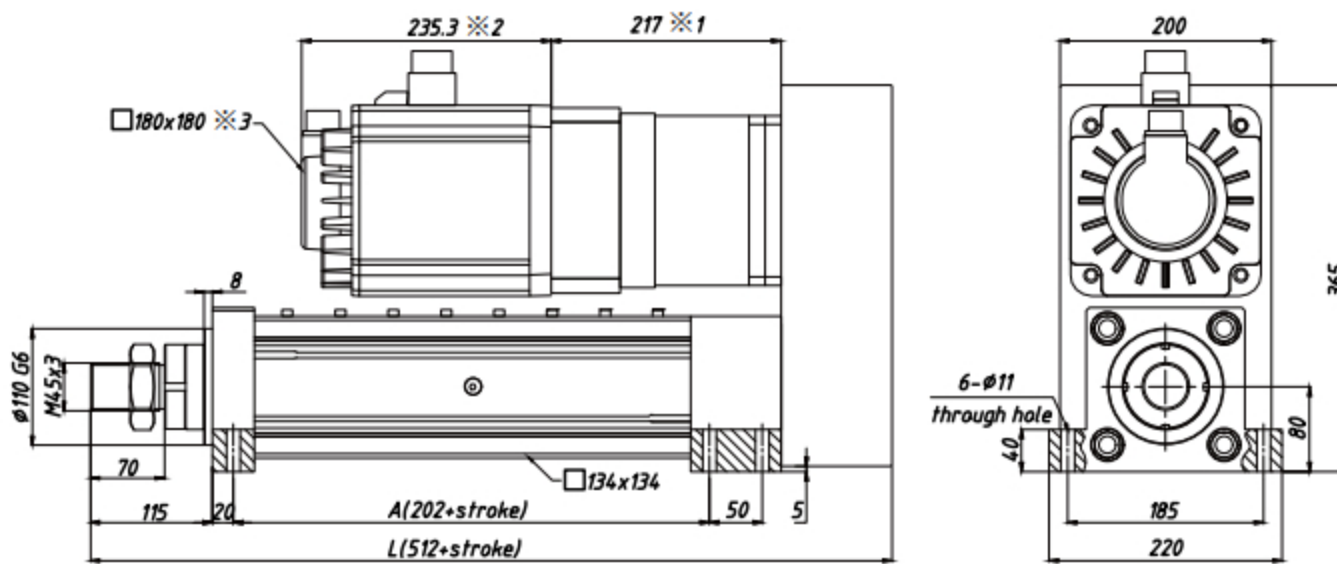
Actuator Type: WFY-A125-D-K-7



- ※1: User specifies other brand Reducer, Length depends on Reducer size
- ※2: Length depends on Motor size
- ※3: Motor outlet dimension size 180mm×180mm

stroke (mm)	50	100	150	200	250	300	350	400	450	500	550	600
L (mm)	557	607	657	707	757	807	857	907	957	1007	1057	1107
A (mm)	297	347	397	447	497	547	597	647	697	747	797	847
weight(kg)	75	77.5	80	82.5	85	87.5	90	92.5	95	97.5	100	102.5

Actuator Type: WFY-A125-D-K-8



- ※1: User specifies other brand Reducer, Length depends on Reducer size
- ※2: Length depends on Motor size
- ※3: Motor outlet dimension size 180mm×180mm

stroke (mm)	50	100	150	200	250	300	350	400	450	500	550	600
L (mm)	557	607	657	707	757	807	857	907	957	1007	1057	1107
A (mm)	249.5	299.5	349.5	399.5	449.5	499.5	549.5	599.5	649.5	699.5	749.5	799.5
weight(kg)	77	79.5	82	84.5	87	89.5	92	94.5	97	99.5	102	104.5